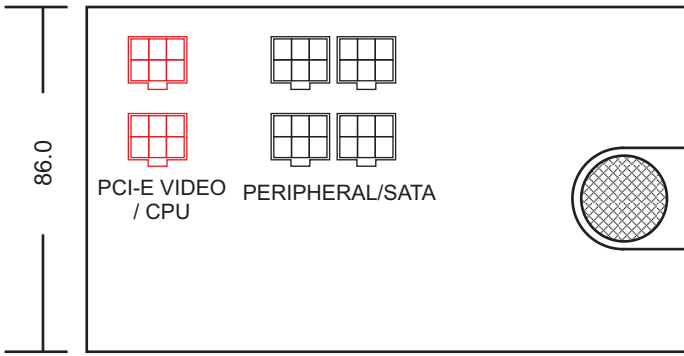


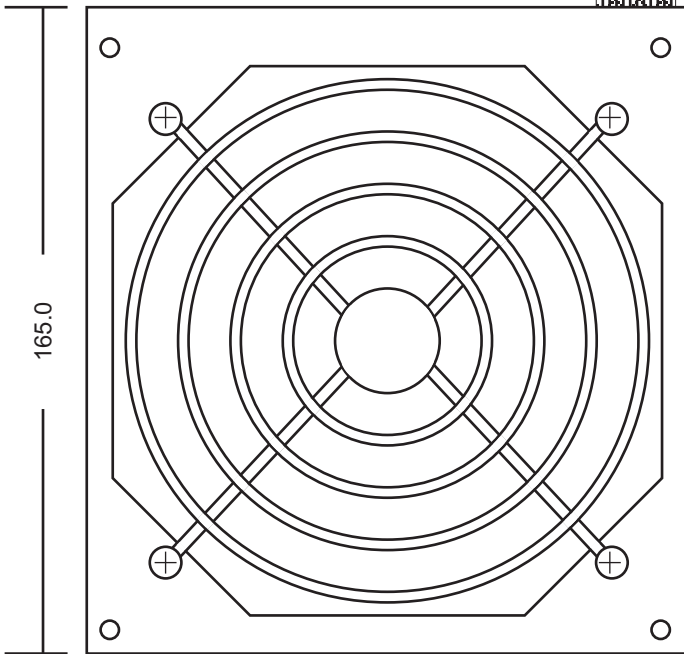
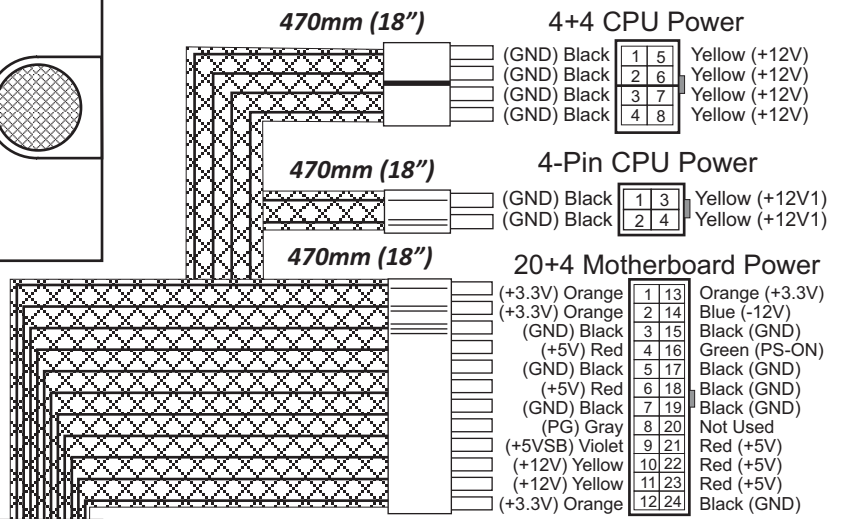
MECHANICAL DRAWING: POWER MASTER 500, MODEL: FPS0500-A2S00



ALL CASE MEASUREMENTS ARE IN mm

5.9" X 3.4" X 6.5" (W X H X D)

ALL WIRE LENGTHS ARE IN INCHES



MODULAR CABLES

