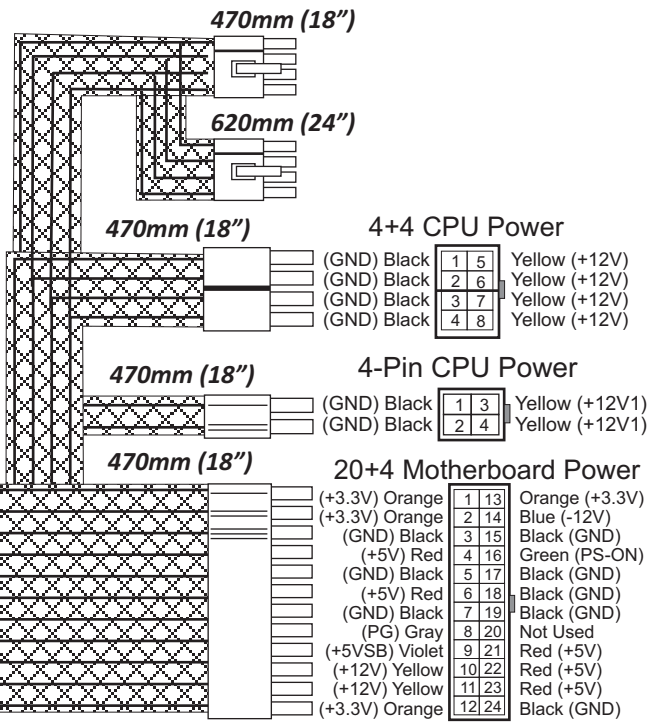
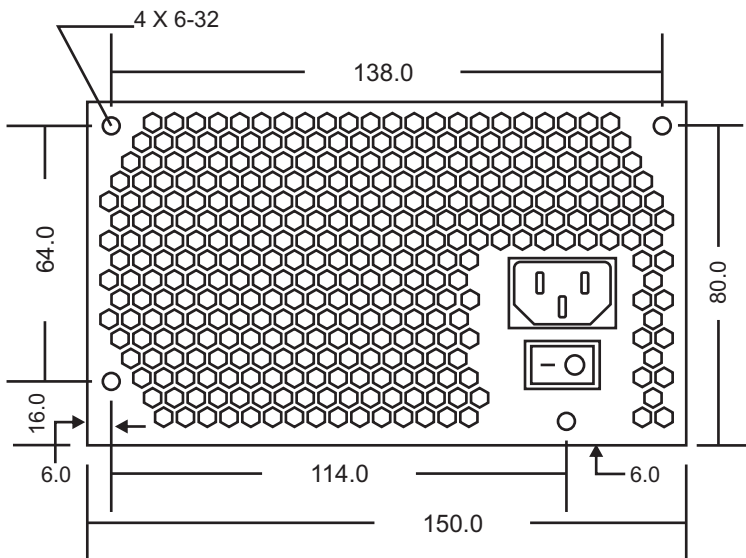
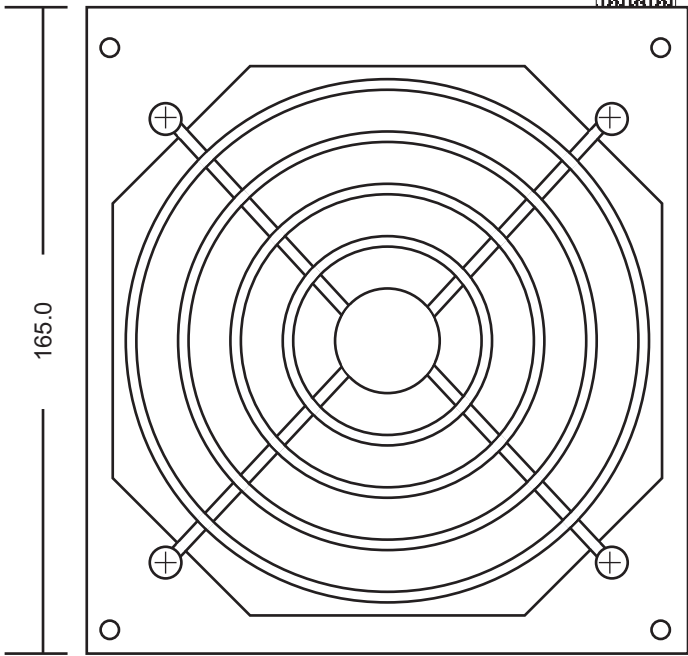


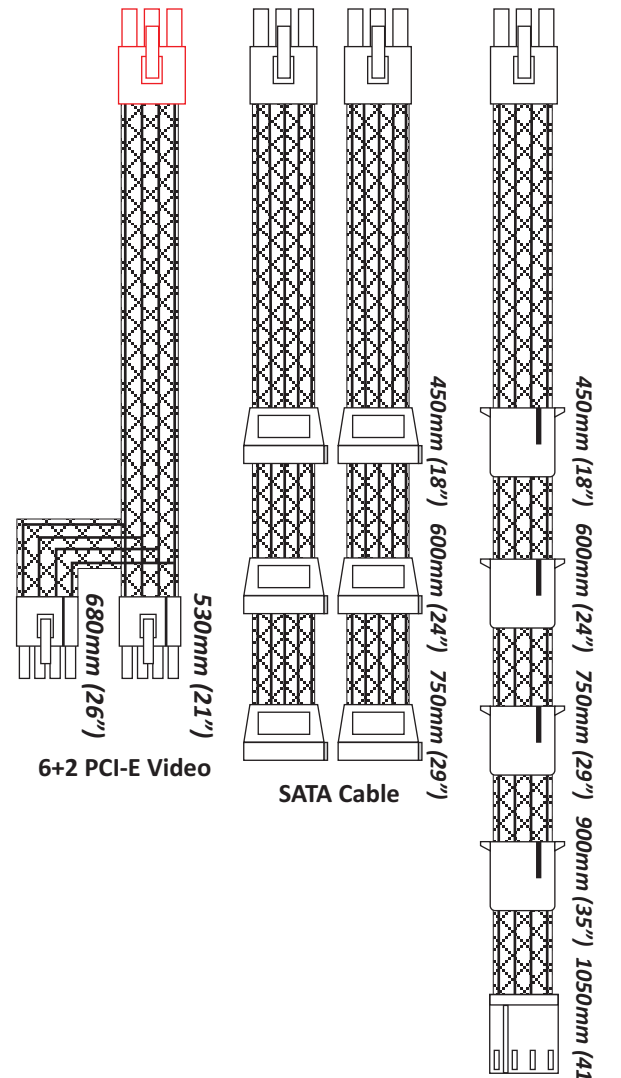
ALL CASE MEASUREMENTS ARE IN mm

5.9" X 3.4" X 6.5" (W X H X D)

ALL WIRE LENGTHS ARE IN INCHES



**MODULAR CABLES**



Peripheral/Floppy