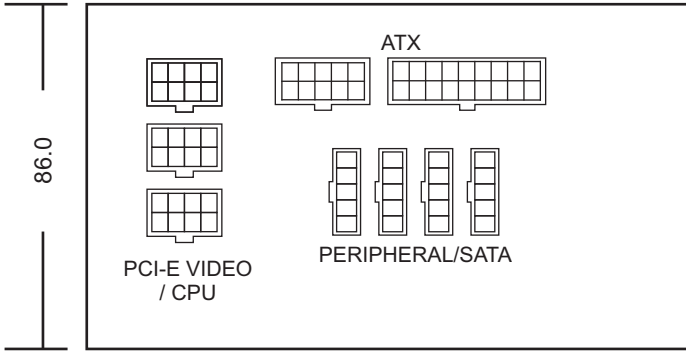


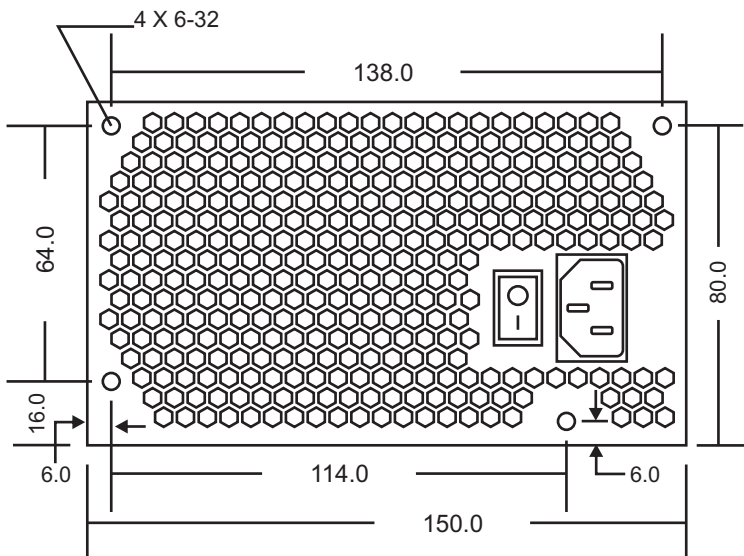
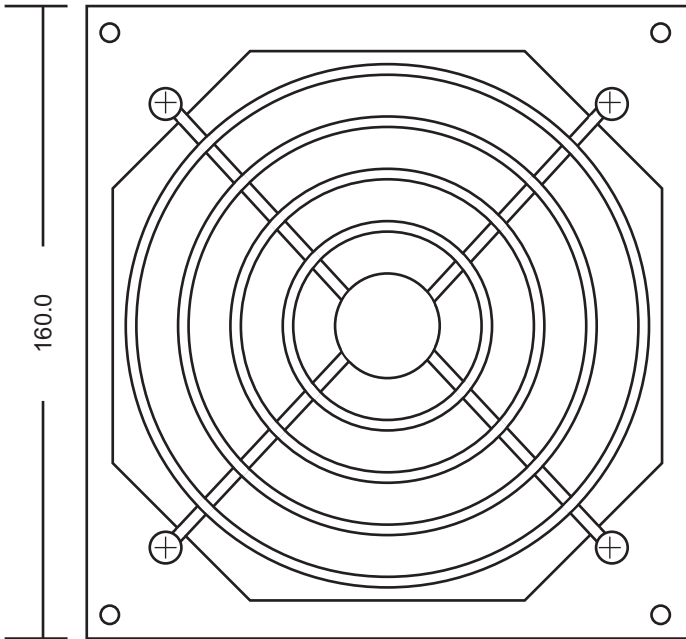
MECHANICAL DRAWING: FPS0750-A4M00



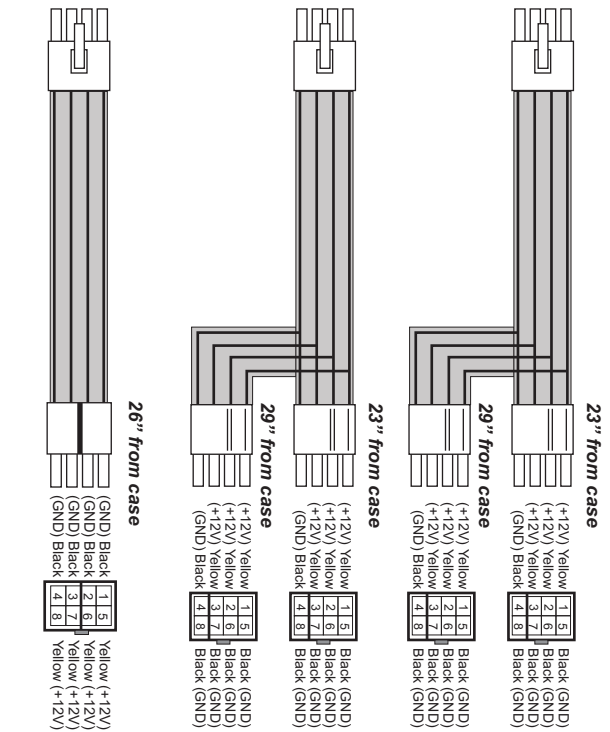
ALL CASE MEASUREMENTS ARE IN mm

5.9" X 3.4" X 6.3" (W X H X D)

ALL WIRE LENGTHS ARE IN INCHES

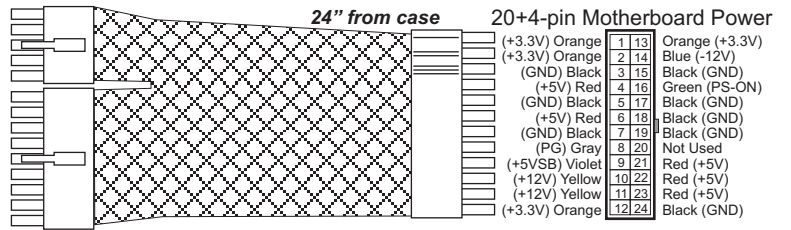


Flat Ribbon Cables

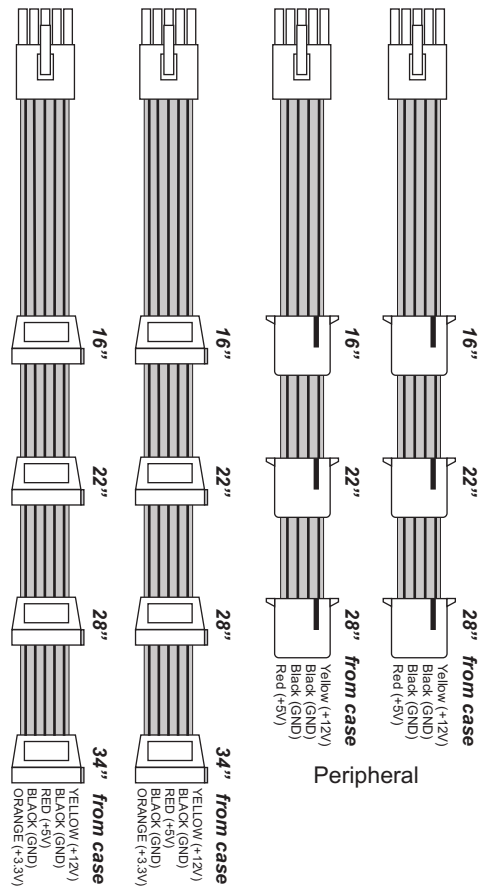


4+4 CPU Power

6+2 PCI Express Video



Flat Ribbon Cables



Peripheral

Serial ATA