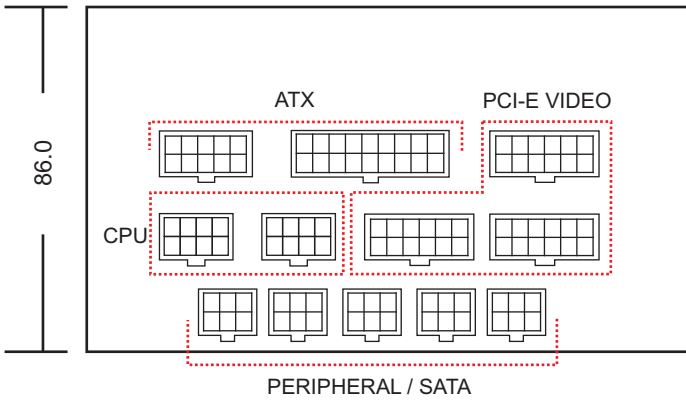


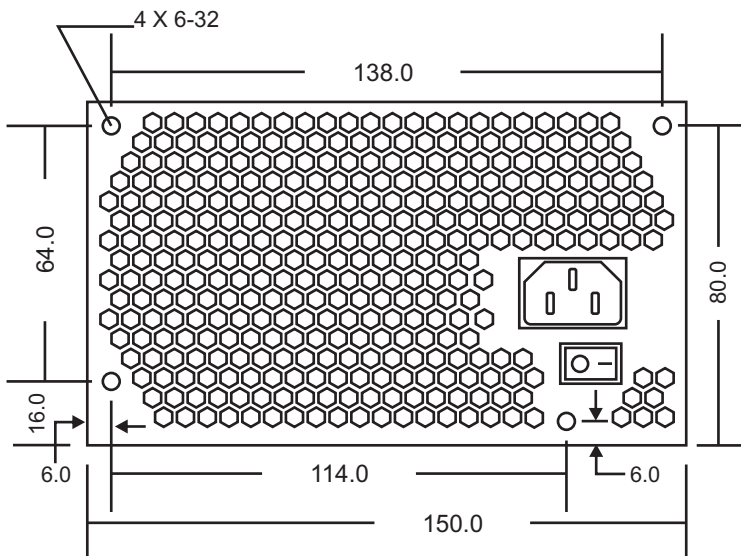
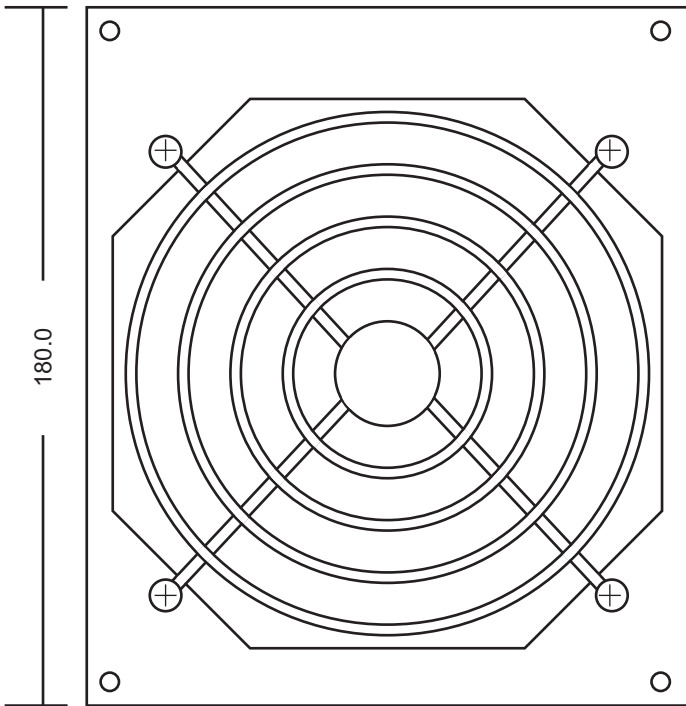
MECHANICAL DRAWING: FPS1050-A5M00



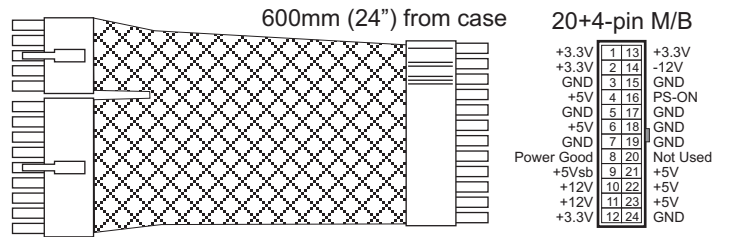
ALL CASE MEASUREMENTS ARE IN mm

5.9" X 3.4" X 7.1" (W X H X D)

ALL WIRE LENGTHS ARE IN INCHES



Sleeved Cable



Flat Ribbon Cables

